

# **BLUE STANDARD**

## **Gear-Operated Butterfly Valve**

### **Features**

Smooth operation with  
efficient gearing

Full flange design

Stainless steel stem

Isolated gear box

FC25 gear wheel

Multi-point seal

Position indicator



### **Design & Materials**

Valve body and disc are PVC. Seats are choice of EPDM or FKM.

Non-wetted Parts: Oil seal is EPDM. Stem, gearing and adjusting bolt are stainless steel; gear box and handwheel are FC25.

Actual maximum pressure varies by application based on temperature, flow rate, and media. For assistance or other body materials please consult factory.



**BLUE STANDARD**

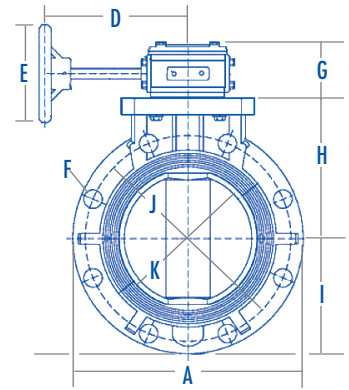
**888-689-8258**

[info@bluestandardvalves.com](mailto:info@bluestandardvalves.com)

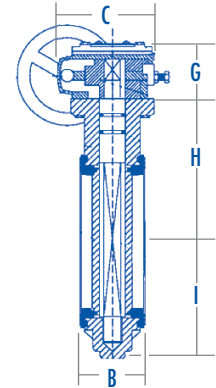
[www.bluestandardvalves.com](http://www.bluestandardvalves.com)

## Dimensions

Series BG579															
Pipe Size	Size DIN	A		B		C		D		E		F		G	
		In.	MM	In.	MM	In.	MM	In.	MM	In.	MM	In.	MM	In.	MM
8"	200	13.27	337	3.43	87	5.35	136	7.01	178	5.63	143	0.88	23	2.72	69
10"	250	15.75	400	4.37	111	5.35	136	7.01	178	5.63	143	0.98	25	2.72	69
12"	300	19.02	483	5.20	132	7.44	189	8.35	212	9.61	244	0.98	25	4.05	103
14"	350	20.47	520	5.20	132	7.44	189	8.35	212	9.61	244	1.14	25	4.05	103
16"	400	23.62	600	6.65	169	7.44	189	8.35	212	9.61	244	1.14	27	4.05	103
18"	450	25.20	640	7.13	181	11.22	285	10.59	269	18.27	464	1.26	27	4.76	121
20"	500	27.99	711	7.48	190	11.22	285	12.99	330	18.27	464	1.26	27	4.76	121
24"	600	32.00	813	8.23	209	11.22	285	12.99	330	18.27	464	1.38	30	4.76	121



Series BG579												
Pipe Size	Size DIN	H		I		J		K		Max. Working Press.		# of Mounting Holes
		In.	MM	In.	MM	In.	MM	In.	MM	PSI	kgf/cm <sup>2</sup>	
8"	200	8.03	204	6.61	168	7.99	203	11.75	295	150	10.0	8
10"	250	9.25	235	7.87	200	10	255	14.25	350	150	10.0	12
12"	300	11.38	289	9.41	239	12.28	312	17.00	400	105	7.0	12
14"	350	12.01	305	10.20	259	13.97	355	18.75	460	105	7.0	12
16"	400	12.01	305	10.20	259	13.97	355	18.75	460	105	7.0	12
18"	450	14.37	365	12.48	317	17.75	451	22.75	565	74	5.0	16
20"	500	15.94	405	14.37	365	19.70	500	25.00	620	52	3.5	20
24"	600	18.11	460	16.73	425	23.66	600	29.50	725	52	3.5	20



## Cross Reference

Blue Standard BG579 meets the specifications of the following competitive butterfly valves:

BY BYB 563 567 568 56 57 57L 75

Cross-referenced valves may differ dimensionally.

## Ordering Information

Size	Part Numbers • PVC Body	
	PVC Disk, EPDM Seal	PVC Disk, Viton Seal
8"	BG579-800EP-PV-PV	BG579-800V-PV-PV
10"	BG579-1000EP-PV-PV	BG579-1000V-PV-PV
12"	BG579-1200EP-PV-PV	BG579-1200V-PV-PV
14"	BG579-1400EP-PV-PV	BG579-1400V-PV-PV
16"	BG579-1600EP-PV-PV	BG579-1600V-PV-PV
18"	BG579-1800EP-PV-PV	BG579-1800V-PV-PV
20"	BG579-2000EP-PV-PV	BG579-2000V-PV-PV
24"	BG579-2400EP-PV-PV	BG579-2400V-PV-PV

For other materials consult factory.



# BLUE STANDARD

888-689-8258

www.bluestandardvalves.com info@bluestandardvalves.com