

**BLUE STANDARD**

## **SERIES LC10**

### **Labcock Ball Valves**

1/4" & 3/8" connections

Fittings:

Female NPT

Male NPT

Hose barb

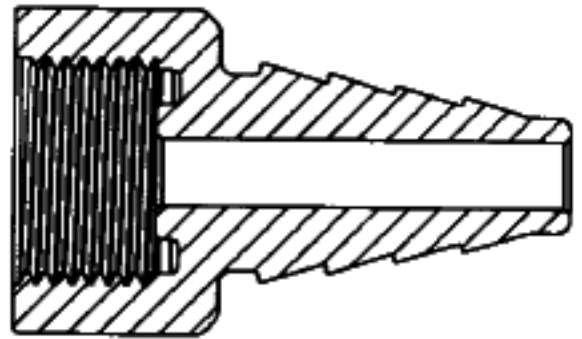


**Contact**

**Plast-O-Matic Technical Services:  
973-256-3000 or  
[info@plastomatic.com](mailto:info@plastomatic.com)**

# BLUE STANDARD LC10 DATA

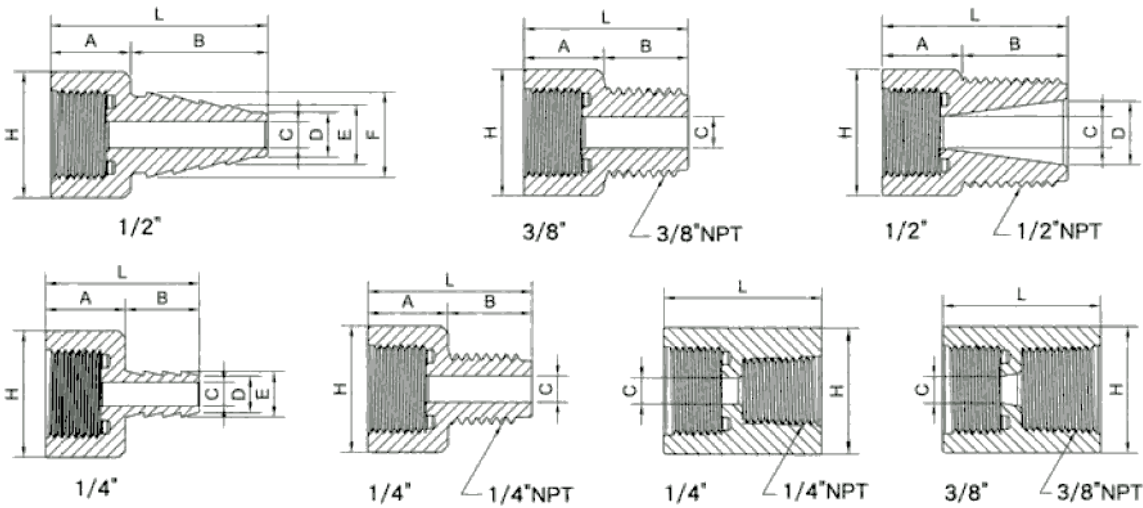
CONFIGURATION	PART NUMBER
1/4" F X 1/4" H	LC10-025F-025B
1/4" M X 1/4" M	LC10-025M-025M
1/4" H X 1/4" H	LC10-025B-025B
1/4" M X 1/4" H	LC10-025M-025B
3/8" F X 3/8" H	LC10-037F-037B
3/8" M X 3/8" H	LC10-037M-037B
3/8" H X 3/8" H	LC10-037B-037B
1/4" F X 3/8" H	LC10-025F-037B
3/8" F X 1/4" H	LC10-037F-025B
1/4" M X 3/8" H	LC10-025M-037B
3/8" M X 1/4" H	LC10-037M-025B



above: detail of barb fitting

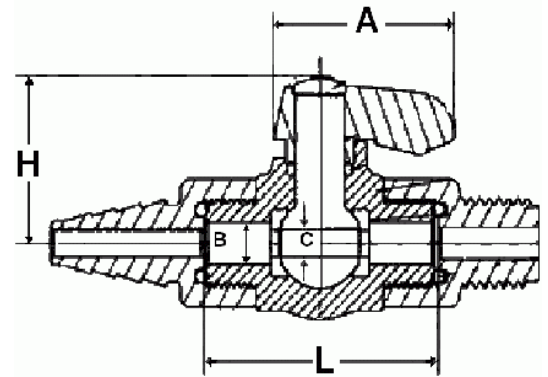
M= Male Pipe Thread  
 F= Female Pipe Thread  
 B= Hose Barb

## DIMENSIONS



(measurements in mm)

	A	B	C	D	E	F	H	L
1/4" Hose Barb	15	26	5	9	11	12	24	41
1/4" Male	15	16	5				24	31
3/8" Male	15	16	6				24	31
1/2" Male	15	20	6	12			24	35
1/4" Female	15	26	5	7	9		24	29
3/8" Female			5				24	30



**Main Body Dimensions, in MM:**  
 L: 37.68    H: 25.04    A: 29.04  
 B: 6.40    C: 4.00