

BĀSIKS

TFM Diaphragm Relief/ Backpressure Valve

Features

Economical, multi-purpose valve functions as relief valve, bypass valve, backpressure regulator, pump backpressure valve, anti-siphon valve

Corrosion-resistant design features no wetted metals or elastomers

Responsive, high flow design

Non-rising adjusting bolt

1/4", 3/8" & 1/2"
2 or 3 Port



3/4" & 1"
2-Port



3/4" & 1"
3-port



Design & Materials

Valve body available in PVC, Corzan CPVC, PP or Kynar PVDF with NPT, socket, BSP or spigot connections. Diaphragm is PTFE (wetted side) backed with FKM (non-wetted). Adjusting bolt and lock nut are thermoplastic. Fasteners are stainless steel.

Maximum inlet pressure is 150 PSI.

Set pressure range is 5 to 150 PSI.

2-Port or 3-Port Pipe sizes 1/4", 3/8", 1/2", 3/4", 1".

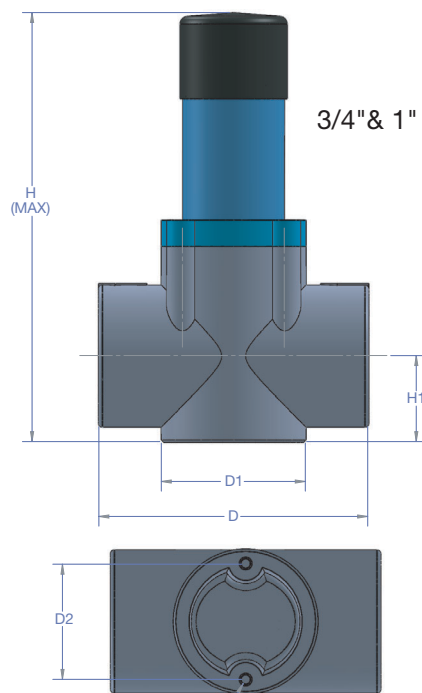
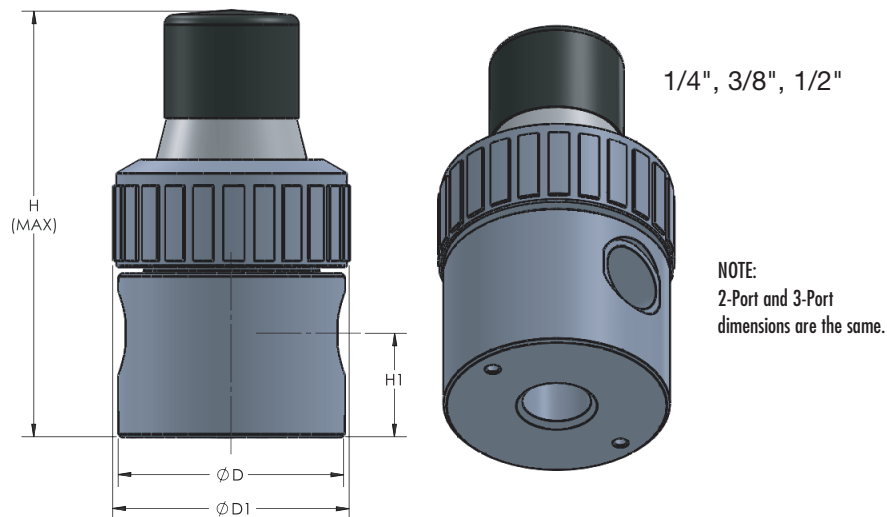


BĀSIKS

888-689-8258

www.basiks.us
info@basiks.us

Dimensions & Ordering Information



Height shown is including cap.

2-PORT PART NUMBERS & DIMENSIONS

MODEL	PIPE SIZE	H		H1		D		D1		D2		T THREAD SIZE
		IN.	MM.	IN.	MM.	IN.	MM.	IN.	MM.	IN.	MM.	
S-RV025T-PV	1/4"	3.64	92.0	0.75	19.0	2.35	60.0	2.46	62.0	1.87	48.0	#8-32
S-RV037T-PV	3/8"	3.64	92.0	0.75	19.0	2.35	60.0	2.46	62.0	1.87	48.0	#8-32
S-RV050T-PV	1/2"	4.43	113.0	1.08	27.0	2.35	60.0	2.46	62.0	1.87	48.0	#8-32
S-RV075T-PV	3/4"	5.59	142.0	1.12	28.0	3.50	89.0	1.90	48.0	1.50	38.0	#8-32
S-RV100T-PV	1"	5.90	150.0	1.25	32.0	3.50	89.0	1.90	48.0	1.50	38.0	#8-32

Maximum working temp.: 140 °F for PVC and CPVC valves.
180 °F for PVDF and polypro valves.

A "T" in the part number after the valve size designates NPT threaded ports and an "S" designates socket ports.

All S-RV/S-TRV relief valves have wetted PTFE diaphragms.

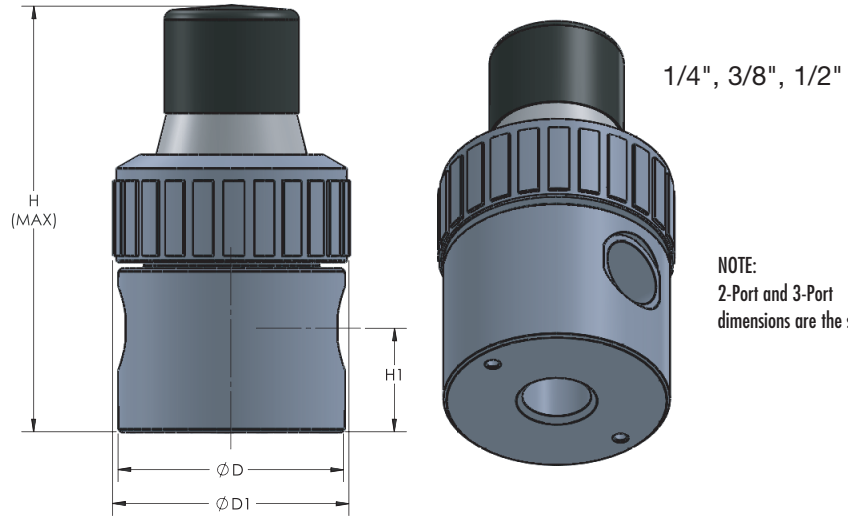
Part numbers shown with PVC body material. For CPVC, change suffix -PV to -CP, example: S-RV025T-CP. For polypro, change suffix to -PP. For PVDF, change to -PF. FNPT standard; socket, BSP & spigot optional.



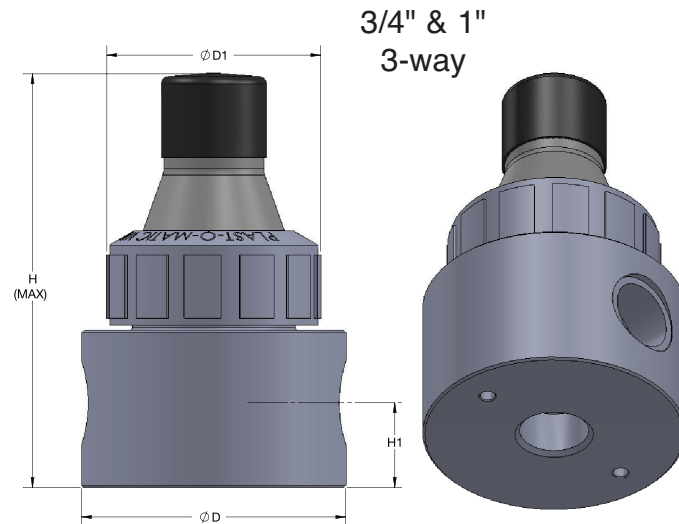
BASIKS
888-689-8258

www.basiks.us info@basiks.us

A Value Line by Plast-O-Matic Valves, Inc. • 1384 Pompton Ave., Cedar Grove, NJ 07009 USA



NOTE:
2-Port and 3-Port
dimensions are the same.



3-PORT PART NUMBERS & DIMENSIONS

PIPE SIZE	H		H1		D		D1		D2		T THREAD SIZE
	IN.	MM.	IN.	MM.	IN.	MM.	IN.	MM.	IN.	MM.	
1/4"	.64	92.0	0.75	19.0	2.35	60.0	2.46	62.0	1.87	48.0	#8-32
3/8"	3.64	92.0	0.75	19.0	2.35	60.0	2.46	62.0	1.87	48.0	#8-32
1/2"	4.43	113.0	1.08	27.0	2.35	60.0	2.46	62.0	1.87	48.0	#8-32
3/4"	5.58	139.0	1.12	28.0	3.50	89.0	2.48	63.0	2.50	64.0	#8-32
1"	5.78	147.0	1.25	32.0	3.50	89.0	2.48	63.0	2.50	64.0	#8-32

Maximum working temp.: 140 °F for PVC and CPVC valves.
180 °F for PVDF and polypro valves.

A "T" in the part number after the valve size designates NPT threaded ports and an "S" designates socket ports.

All S-RV/S-TRV relief valves have wetted PTFE diaphragms.

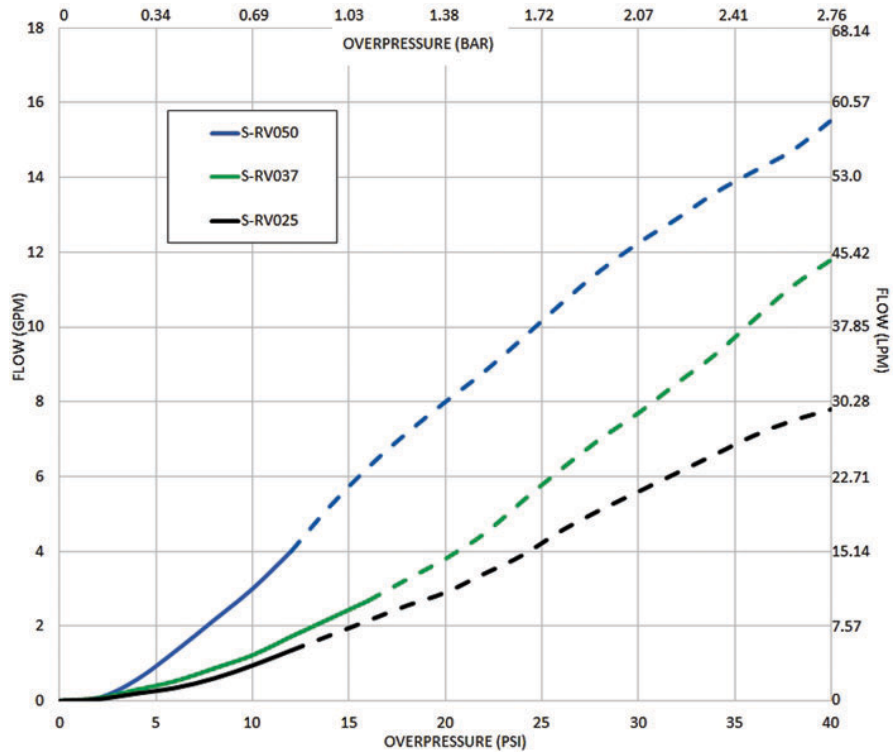


BASIKS
888-689-8258

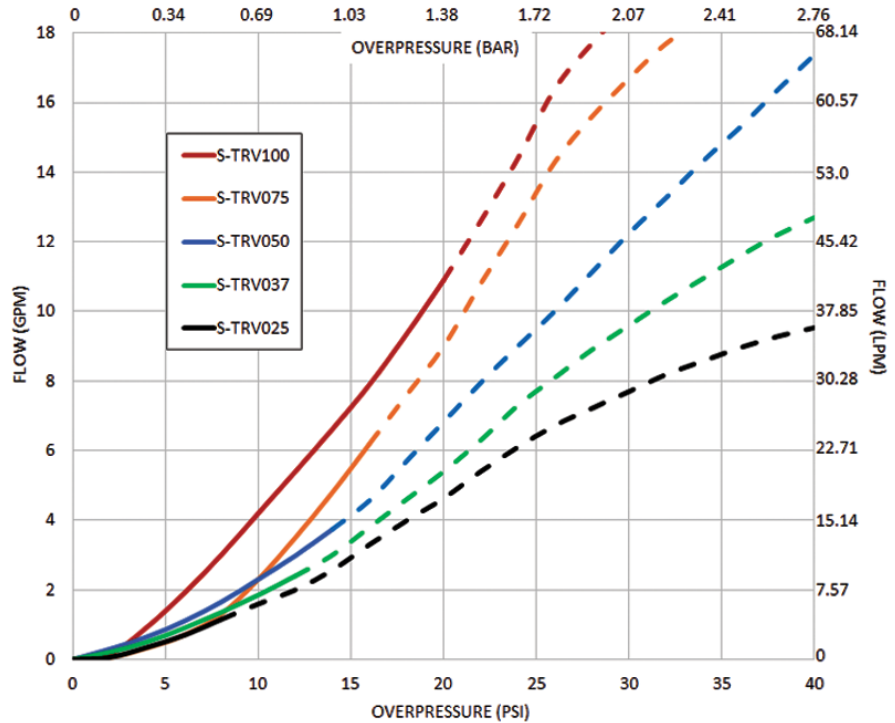
www.basiks.us info@basiks.us

Part numbers shown with PVC body material. For CPVC, change suffix -PV to -CP, example: S-RVQ25T-CP. For polypro, change suffix to -PP. For PVDF, change to -PF. FNPT standard; socket, BSP & spigot optional.

1/4", 3/8", 1/2" 2-PORT FLOW CHART
TESTED WITH CITY WATER



1/4", 3/8", 1/2", 3/4", 1" 3-PORT FLOW CHART
TESTED WITH CITY WATER



BASIKS
888-689-8258

www.basiks.us info@basiks.us

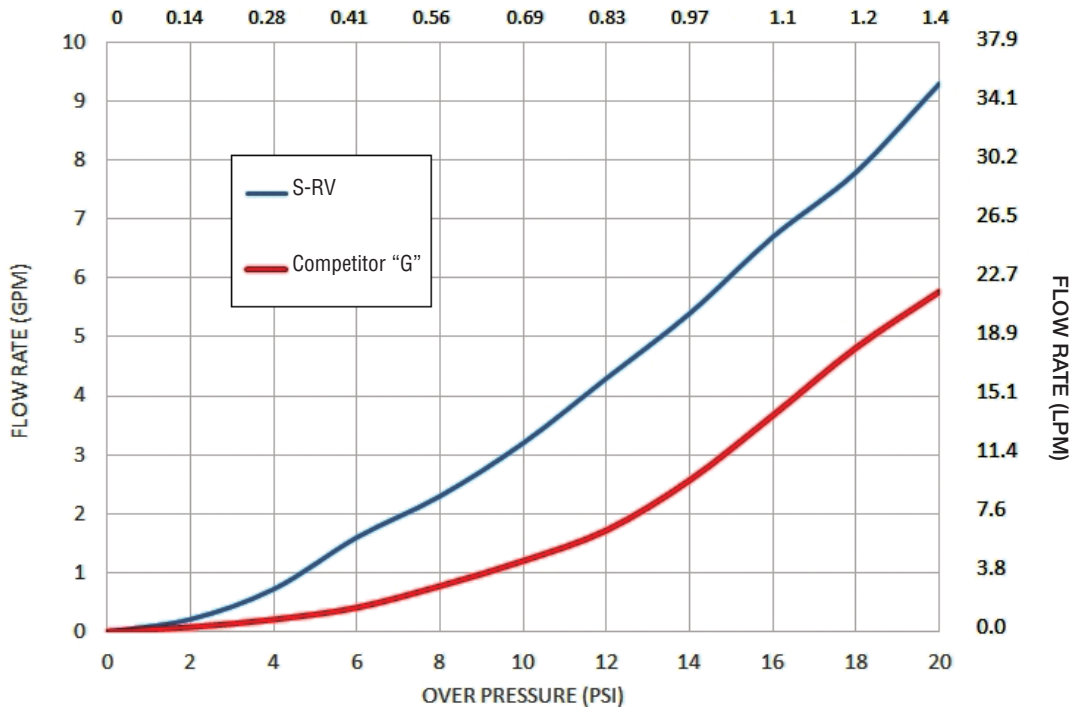
A Value Line by Plast-O-Matic Valves, Inc. • 1384 Pompton Ave., Cedar Grove, NJ 07009 USA

Competitive
Flow Rate
Comparison

3/4" S-RV vs. COMPETITIVE VALVE

TESTED WITH CITY WATER

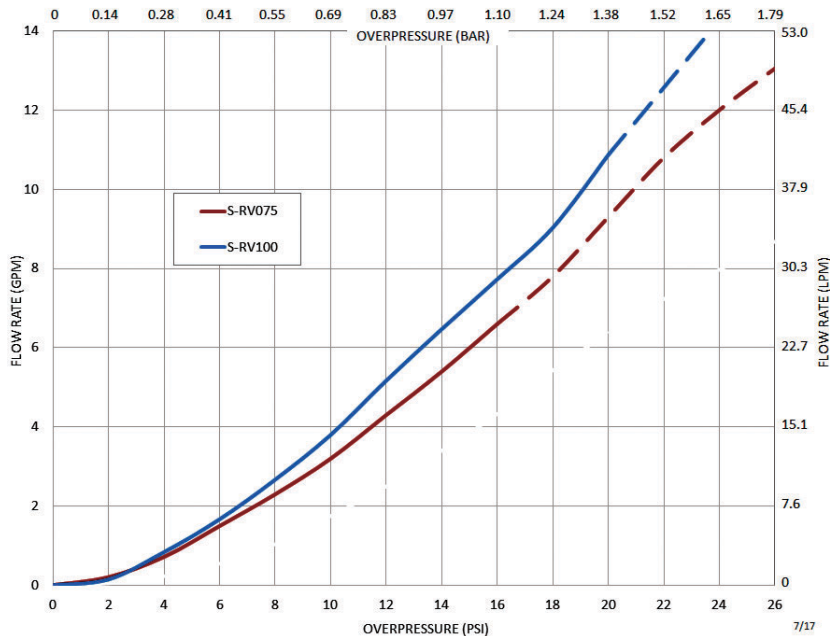
OVERPRESSURE (BAR)



Flow
Performance

3/4" & 1" S-RV SERIES RELIEF VALVE FLOW CHART

TESTED WITH CITY WATER



Tested with city water. Dashed flow rate exceeds recommended five feet/second maximum pipe velocity.



BASIKS

888-689-8258

www.basiks.us info@basiks.us

A Value Line by Plast-O-Matic Valves, Inc. • 1384 Pompton Ave., Cedar Grove, NJ 07009 USA