

BLUE STANDARD

Corrosion Resistant Low Torque Butterfly Valve

Features

Multi-rib design for quick, secure installation

Smooth operating, ultra low torque valve at an extremely affordable price.

Lever operated ABS ergonomic handle

Complete range of sizes and choice of materials

PVC coated nut prevents atmospheric corrosion



Design & Materials

Valve body and butterfly disc are choice of PVC, CPVC, PP, PPG, or PVDF. Seats are choice of EPDM, FKM, NBR or Hypalon; O-rings are choice of EPDM or FKM. Handle is molded of ABS. All metals (non-wetted) are stainless steel except for handle insert.

Maximum working pressure is 150 PSI/10.0 kgf/cm².

Actual maximum pressure may vary by application based on temperature, flow rate, and media. For assistance, please consult factory.



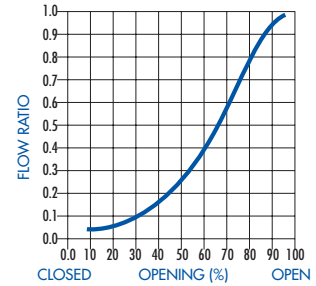
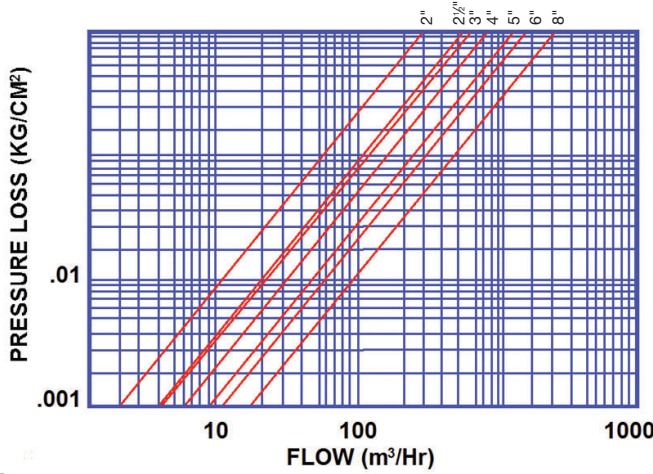
BLUE STANDARD

888-689-8258

www.bluestandardvalves.com

info@bluestandardvalves.com

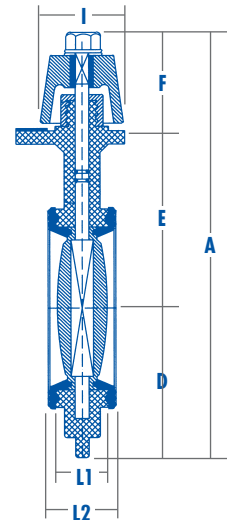
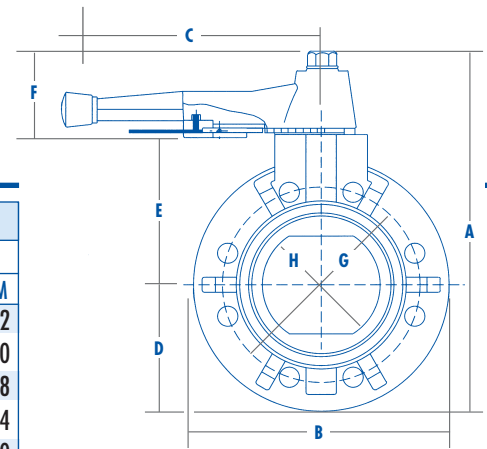
Flow Performance



Dimensions

Series BY577												
Pipe Size	DN Size	Part Number	A		B		C		D		E	
			In.	MM	In.	MM	In.	MM	In.	MM	In.	MM
2"	50	BY577-200EP-PV	9.96	253	6.29	160	8.66	220	3.27	83	4.01	102
2 1/2"	65	BY577-250EP-PV	10.63	270	7.24	184	8.66	220	3.62	92	4.33	110
3"	80	BY577-300EP-PV	11.26	286	7.87	200	8.66	220	3.94	100	4.64	118
4"	100	BY577-400EP-PV	12.48	317	9.06	230	8.66	220	4.53	115	5.28	134
5"	125	BY577-500EP-PV	15.00	381	9.84	250	12.20	310	5.00	127	6.30	160
6"	150	BY577-600EP-PV	16.76	426	11.42	290	12.20	310	5.71	145	6.97	177
8"	200	BY577-800EP-PV	18.74	476	13.27	337	16.30	414	6.61	168	8.03	204

Pipe Size	DN Size	Part Number	F		G		H		I		L1		L2	
			In.	MM	In.	MM	In.	MM	In.	MM	In.	MM	In.	MM
2"	50	BY577-200EP-PV	2.68	68	4.8	121	2.24	57	1.65	83	1.38	35	1.65	42
2 1/2"	65	BY577-250EP-PV	2.68	68	5.5	140	2.83	72	1.81	92	1.46	37	1.81	46
3"	80	BY577-300EP-PV	2.68	68	6.0	152	3.15	80	1.81	100	1.46	37	1.81	46
4"	100	BY577-400EP-PV	2.68	68	7.5	191	3.93	100	2.20	115	1.85	47	2.20	56
5"	125	BY577-500EP-PV	3.78	96	8.5	216	5.12	130	2.60	127	2.24	57	2.60	66
6"	150	BY577-600EP-PV	3.78	96	9.5	241	5.90	150	2.80	145	2.44	62	2.80	71
8"	200	BY577-800EP-PV	3.66	93	11.8	298	7.99	203	3.43	168	2.99	76	3.43	87



Cross Reference

Blue Standard BY577 is similar to the specifications of the following competitive butterfly valves:
 BYB BB300 TYPE 567 BF2 PPBFV2
 Cross-referenced valves may differ dimensionally.

Ordering Information

Pipe Size	PVC Part Numbers			
	EPDM	FKM	HYPALON	NBR
2"	BY577-200EP-PV	BY577-200V-PV	BY577-200H-PV	BY577-200N-PV
2 1/2"	BY577-250EP-PV	BY577-250V-PV	BY577-250H-PV	BY577-250N-PV
3"	BY577-300EP-PV	BY577-300V-PV	BY577-300H-PV	BY577-300N-PV
4"	BY577-400EP-PV	BY577-400V-PV	BY577-400H-PV	BY577-400N-PV
5"	BY577-500EP-PV	BY577-500V-PV	BY577-500H-PV	BY577-500N-PV
6"	BY577-600EP-PV	BY577-600V-PV	BY577-600H-PV	BY577-600N-PV
8"	BY577-800EP-PV	BY577-800V-PV	BY577-800H-PV	BY577-800N-PV

Part numbers shown are PVC.
 For CPVC, change -PV to -CP.
 For PP, change -PV to -PP.
 For Glass-filled polypro, change -PV to -GP.
 For PVDF, change -PV to -PF.
 Example: BY577-200EP-PF
 For other materials and elastomers, consult factory.



BLUE STANDARD

888-689-8258

www.bluestandardvalves.com info@bluestandardvalves.com