

BLUE STANDARD

Corrosion Resistant All Plastic Butterfly Valve

Features

**Multi-rib design for quick,
secure installation**

**Smooth operating, ultra low
torque valve at an extremely
affordable price.**

**Lever operated ABS
ergonomic handle**

**Complete range of sizes and
choice of materials**

Available with lockout option

**No exposed metal parts
internal or external**



Design & Materials

Valve body and butterfly disc are choice of PVC, CPVC, beige polypro, glass filled polypro, or PVDF. Seats are choice of EPDM, FKM, NBR or Hypalon; O-rings are choice of EPDM or FKM. Handle is molded of ABS. All metals (non-wetted and non-exposed) are stainless steel .

Actual maximum pressure varies py application based on temperature, flow rate, and media. For assistance, please consult factory.



BLUE STANDARD

THERMOPLASTIC VALVES

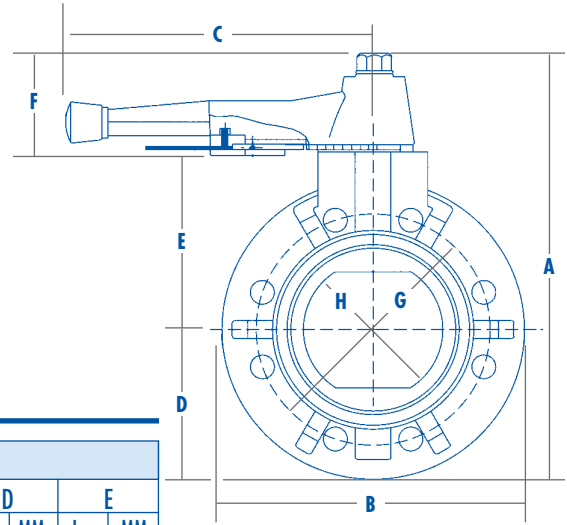
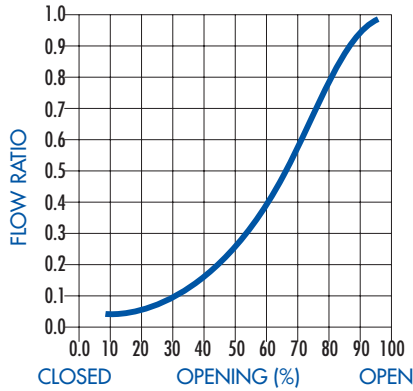
4054 Brewster Way, Riverside, CA 92501 USA

P (951) 686-2852 ■ F (951) 686-6328

www.bluestandardvalves.com

info@plastomatic.com

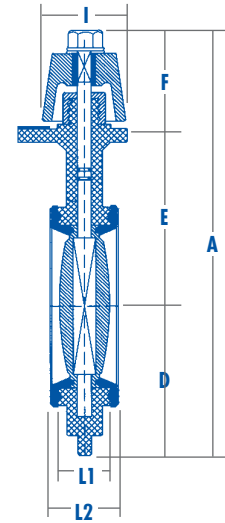
Flow Performance



Dimensions

Series PY577												
Pipe Size	DN Size	Part Number	A		B		C		E			
			In.	MM	In.	MM	In.	MM	In.	MM		
2"	50	PY577-200EP-PV	9.96	253	6.29	160	8.66	220	3.27	83	4.01	102
2 1/2"	65	PY577-250EP-PV	10.63	270	7.24	184	8.66	220	3.62	92	4.33	110
3"	80	PY577-300EP-PV	11.26	286	7.87	200	8.66	220	3.94	100	4.64	118
4"	100	PY577-400EP-PV	12.48	317	9.06	230	8.66	220	4.53	115	5.28	134
5"	125	PY577-500EP-PV	15.00	381	9.84	250	12.20	310	5.00	127	6.30	160
6"	150	PY577-600EP-PV	16.76	426	11.42	290	12.20	310	5.71	145	6.97	177
8"	200	PY577-800EP-PV	18.74	476	13.27	337	16.30	414	6.61	168	8.03	204

Pipe Size	DN Size	Part Number	F		G		H		I		L1		L2	
			In.	MM	In.	MM	In.	MM	In.	MM	In.	MM	In.	MM
2"	50	PY577-200EP-PV	2.68	68	4.8	121	2.24	57	1.65	83	1.38	35	1.65	42
2 1/2"	65	PY577-250EP-PV	2.68	68	5.5	140	2.83	72	1.81	92	1.46	37	1.81	46
3"	80	PY577-300EP-PV	2.68	68	6.0	152	3.15	80	1.81	100	1.46	37	1.81	46
4"	100	PY577-400EP-PV	2.68	68	7.5	191	3.93	100	2.20	115	1.85	47	2.20	56
5"	125	PY577-500EP-PV	3.78	96	8.5	216	5.12	130	2.60	127	2.24	57	2.60	66
6"	150	PY577-600EP-PV	3.78	96	9.5	241	5.90	150	2.80	145	2.44	62	2.80	71
8"	200	PY577-800EP-PV	3.66	93	11.8	298	7.99	203	3.43	168	2.99	76	3.43	87



Cross Reference

Blue Standard PY577 is similar to the specifications of the following competitive butterfly valves:
 PYB BB300 TYPE 567 BF2 PPBFV2
 Cross-referenced valves may differ dimensionally.

Ordering Information

Pipe Size	EPDM	PVC Part Numbers		
		FKM	HYPALON	NBR
2"	PY577-200EP-PV	PY577-200V-PV	PY577-200H-PV	PY577-200N-PV
2 1/2"	PY577-250EP-PV	PY577-250V-PV	PY577-250H-PV	PY577-250N-PV
3"	PY577-300EP-PV	PY577-300V-PV	PY577-300H-PV	PY577-300N-PV
4"	PY577-400EP-PV	PY577-400V-PV	PY577-400H-PV	PY577-400N-PV
5"	PY577-500EP-PV	PY577-500V-PV	PY577-500H-PV	PY577-500N-PV
6"	PY577-600EP-PV	PY577-600V-PV	PY577-600H-PV	PY577-600N-PV
8"	PY577-800EP-PV	PY577-800V-PV	PY577-800H-PV	PY577-800N-PV

Part numbers shown are PVC.
 For CPVC, change -PV to -CP.
 For PP, change -PV to -PP.
 For Glass-filled polypro, change -PV to -GP.
 For PVDF, change -PV to -PF.
 Example: PY577-200EP-PF
 For other materials and elastomers, consult factory.



BLUE STANDARD

Sold & Serviced By Plast-O-Matic Valves, Inc.

THERMOPLASTIC VALVES

4054 Brewster Way, Riverside, CA 92501 USA ■ (951) 686-2852 ■ Fax (951) 686-6328

www.bluestandardvalves.com ■ www.plastomatic.com